

## 3 phase power supply with VIPer and Power MOSFETs

Data Brief

### Features

- Minimum AC input voltage = 90 V<sub>AC</sub>
- Maximum AC input voltage = 450 V<sub>AC</sub>
- Time of hold up capability > 50 ms
- Mean input power < 6 W (in compliance with IEC62053-21)
- Input connections allowed:
  - 1-phase with neutral
  - 2-phase without neutral
  - 3-phase with neutral
- V<sub>OUT1</sub> = 5 V, I<sub>OUT1</sub> = 10 mA
- V<sub>OUT2</sub> = 3.3 V, I<sub>OUT2</sub> = 100 mA
- Maximum precision error = 3%
- Maximum ripple voltage = 50 mV
- Line regulation = +/- 1%
- Load regulation = +/- 1%
- Output power (peak) = 550 mW



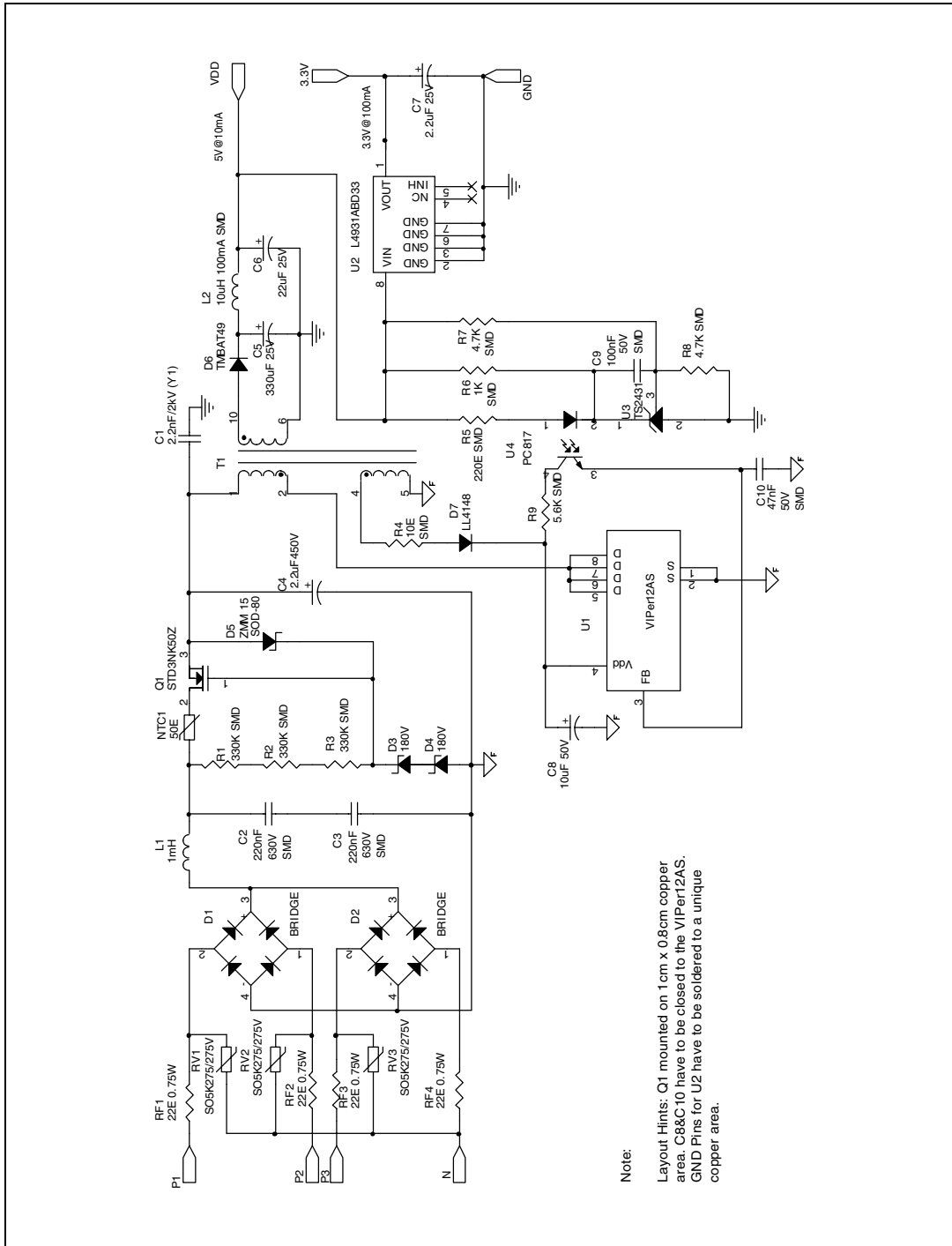
Typical end applications for this solution can be found in the industrial market in the range below 5 W, such as three-phase and single-phase power meters, industrial bias power supplies and auxiliary SMPS for high voltage street lighting, where the input voltage can range from 90 V<sub>AC</sub> to 450 V<sub>AC</sub> and 1000 V Power MOSFETs are currently used.

### Description

This reference design represents a cost effective solution for low power high voltage power supplies. It has been developed to cover applications requiring an ultra-wide input voltage range (between 90 and 450 V<sub>AC</sub>), typical of three-phase applications. This requires the use of very high voltage components, which increases cost, size, weight and the overall complexity of the power supply. The circuit includes a switching transistor connected between the input rectifier and the DC bulk capacitor (STMicroelectronics patent). The series switch limits the DC input voltage of the power converter by means of a driving circuit; thus the SMPS primary transistor can be selected as a standard part as well as a smart power primary IC.

# 1 Board schematic

Figure 1. Schematic



## 2 Revision history

**Table 1. Document revision history**

Date	Revision	Changes
28-Nov-2007	1	Initial release

**Please Read Carefully:**

Information in this document is provided solely in connection with ST products. STMicroelectronics NV and its subsidiaries ("ST") reserve the right to make changes, corrections, modifications or improvements, to this document, and the products and services described herein at any time, without notice.

All ST products are sold pursuant to ST's terms and conditions of sale.

Purchasers are solely responsible for the choice, selection and use of the ST products and services described herein, and ST assumes no liability whatsoever relating to the choice, selection or use of the ST products and services described herein.

No license, express or implied, by estoppel or otherwise, to any intellectual property rights is granted under this document. If any part of this document refers to any third party products or services it shall not be deemed a license grant by ST for the use of such third party products or services, or any intellectual property contained therein or considered as a warranty covering the use in any manner whatsoever of such third party products or services or any intellectual property contained therein.

**UNLESS OTHERWISE SET FORTH IN ST'S TERMS AND CONDITIONS OF SALE ST DISCLAIMS ANY EXPRESS OR IMPLIED WARRANTY WITH RESPECT TO THE USE AND/OR SALE OF ST PRODUCTS INCLUDING WITHOUT LIMITATION IMPLIED WARRANTIES OF MERCHANTABILITY, FITNESS FOR A PARTICULAR PURPOSE (AND THEIR EQUIVALENTS UNDER THE LAWS OF ANY JURISDICTION), OR INFRINGEMENT OF ANY PATENT, COPYRIGHT OR OTHER INTELLECTUAL PROPERTY RIGHT.**

**UNLESS EXPRESSLY APPROVED IN WRITING BY AN AUTHORIZED ST REPRESENTATIVE, ST PRODUCTS ARE NOT RECOMMENDED, AUTHORIZED OR WARRANTED FOR USE IN MILITARY, AIR CRAFT, SPACE, LIFE SAVING, OR LIFE SUSTAINING APPLICATIONS, NOR IN PRODUCTS OR SYSTEMS WHERE FAILURE OR MALFUNCTION MAY RESULT IN PERSONAL INJURY, DEATH, OR SEVERE PROPERTY OR ENVIRONMENTAL DAMAGE. ST PRODUCTS WHICH ARE NOT SPECIFIED AS "AUTOMOTIVE GRADE" MAY ONLY BE USED IN AUTOMOTIVE APPLICATIONS AT USER'S OWN RISK.**

Resale of ST products with provisions different from the statements and/or technical features set forth in this document shall immediately void any warranty granted by ST for the ST product or service described herein and shall not create or extend in any manner whatsoever, any liability of ST.

ST and the ST logo are trademarks or registered trademarks of ST in various countries.

Information in this document supersedes and replaces all information previously supplied.

The ST logo is a registered trademark of STMicroelectronics. All other names are the property of their respective owners.

© 2007 STMicroelectronics - All rights reserved

STMicroelectronics group of companies

Australia - Belgium - Brazil - Canada - China - Czech Republic - Finland - France - Germany - Hong Kong - India - Israel - Italy - Japan - Malaysia - Malta - Morocco - Singapore - Spain - Sweden - Switzerland - United Kingdom - United States of America

[www.st.com](http://www.st.com)